

# IKONNI

## Flexible Panels

Flexible Panel's front grooves skin is made from MDF, with a backer of plywood/MDF. A thin layer of fabric between the two wood layers allows the flexibility of the panel.

**Also available as RIGID or TNT Panels.**

---

Support/core - MDF, multi-layer

---

### **Standard Dimensions -**

120 cm x 300 cm  
( 47 1/4" x 118 1/8" )

---

### **Standard Finishes -**

Walnut, Oak, White Oak, Light Grey, Grey Oak, Teak, Makassar, Ebony.

*Can be customized upon request.*

---

### **Lead time -**

6 weeks production + shipping.  
More styles available - contact us

---

### **IKONNI INC.**

p.917-900-7048

e.info@ikonni.com

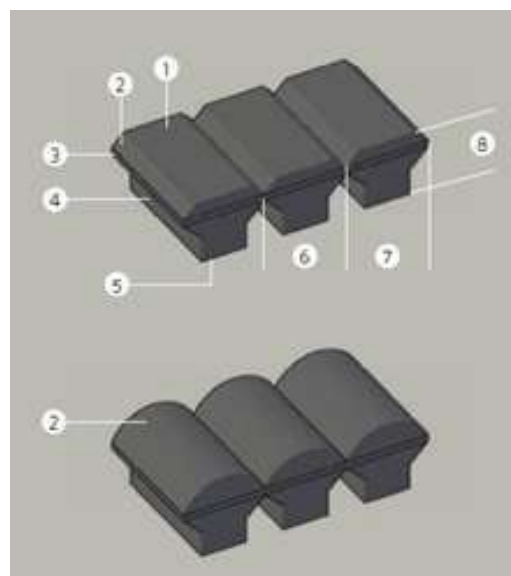
6 w 20th street, New York, NY

10011 w.ikonni.com

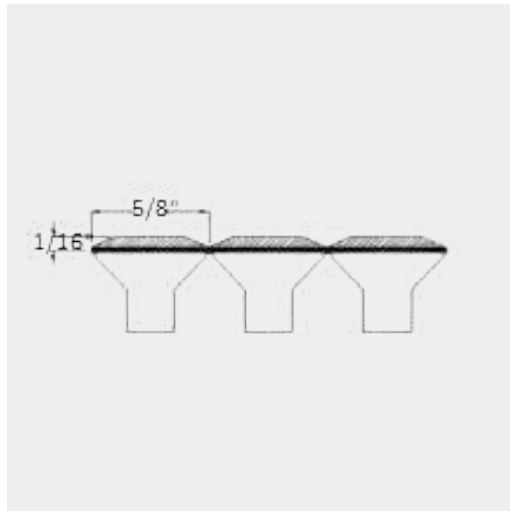
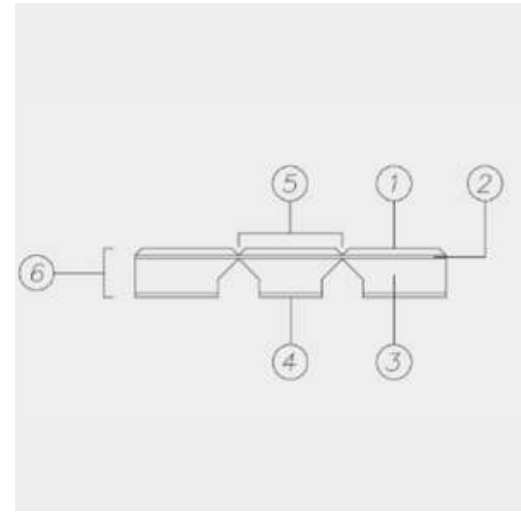


# IKONINI

## Flexible Panels



1. Various wood veneer options
2. External support flat/bow staves made of wood veneer
3. Stabilized cotton fabric
4. Internal support of medium density-phenolic multy-layer of birch wood
5. Cover sliced wood
6. Stave width
7. It is possible to personalize the first stave with knobs or handles



① 1 mm  
Finish thickness

② 0,5 mm  
Fabric

③ 5 mm  
MDF support

④ 0,6 mm  
Balancing

⑤ 15 mm  
Mill spacing

⑥ 7 mm  
Finished thickness

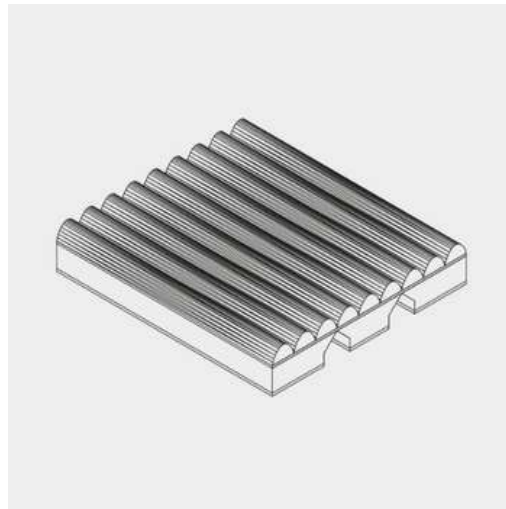
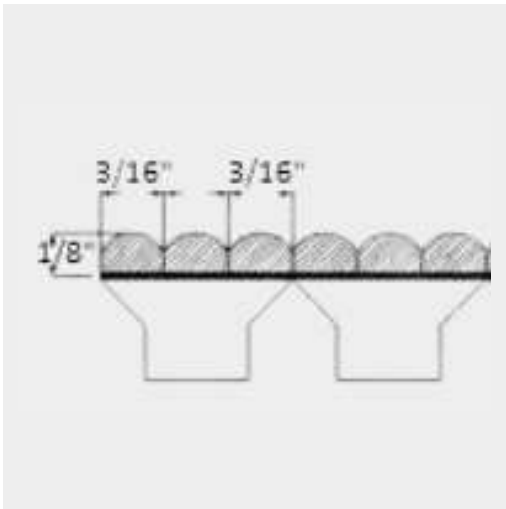
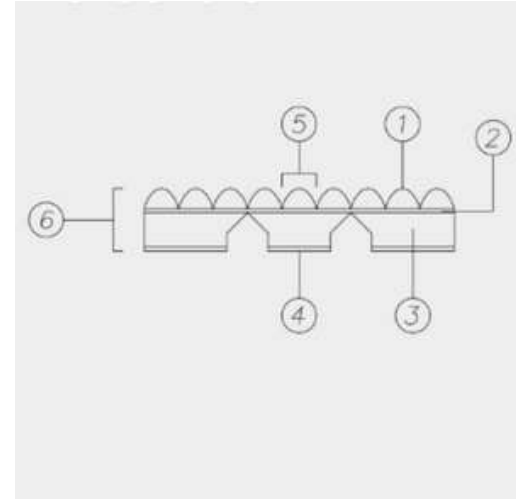
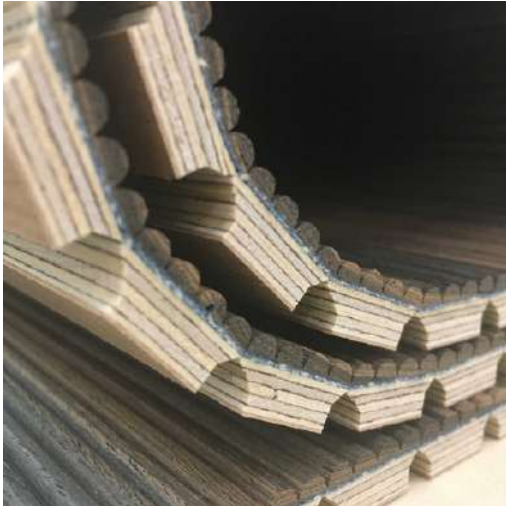
## PRODUCT OVERVIEW

- Product is provided in panel size: 120 cm x 300 cm ( 47 ¼" x 118 1/8")
- Option for Unfinished, or Finished with a clear acrylic
- Water Resistant MDF core - upon request
- Product is only available with Flexible MDF Support

## AVAILABLE WOOD VENEERS







① 3 mm  
Finish thickness

② 0,5 mm  
Fabric

③ 15 mm RIGID SUPPORT  
MDF support

③ 5 mm FLEXIBLE SUPPORT  
MDF support

④ 0,6 mm  
Balancing

⑤ 5 mm  
Mill spacing

⑥ 19 mm RIGID PANEL  
Finished thickness

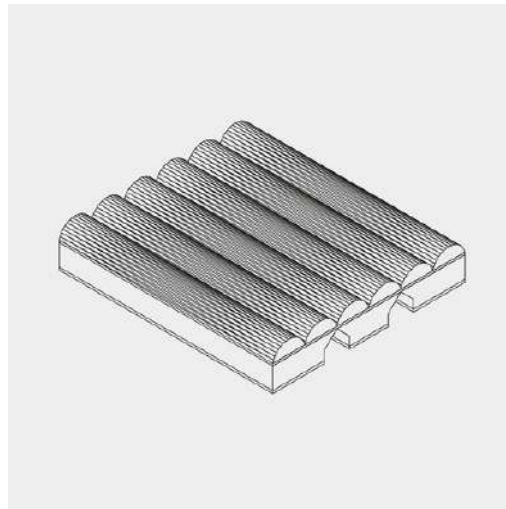
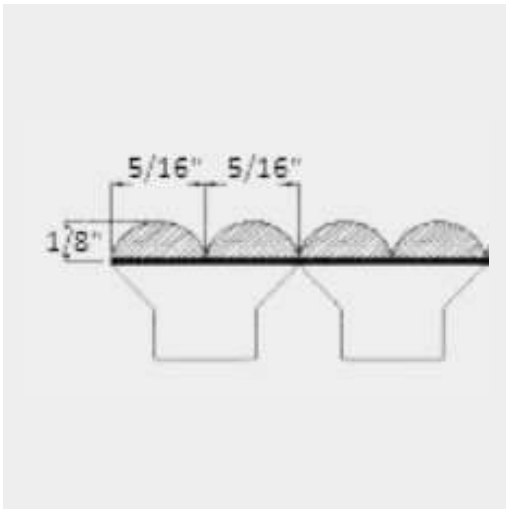
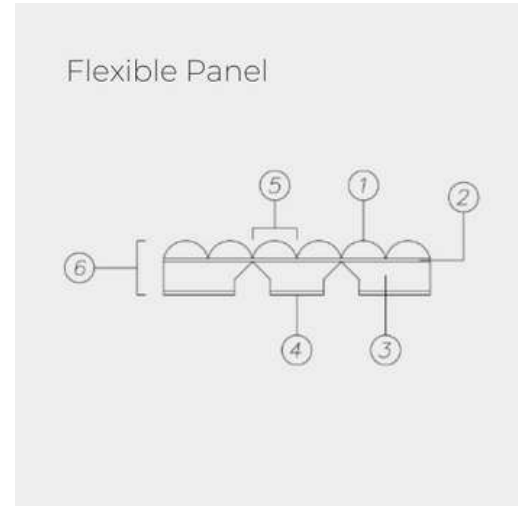
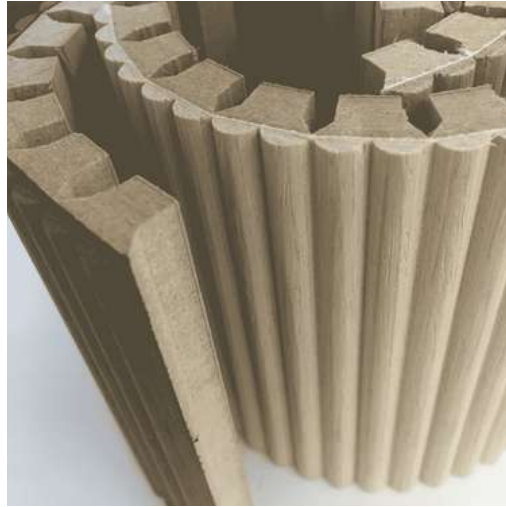
⑥ 9 mm FLEXIBLE PANEL  
Finished thickness

## PRODUCT OVERVIEW

- Product is provided in panel size: 120 cm x 300 cm ( 47 ¼" x 118 1/8")
- Option for Unfinished, or Finished with a clear acrylic
- Water Resistant MDF core - upon request
- Option for TNT Panel Support (non-woven fabric back), or Rigid MDF

## AVAILABLE WOOD VENEERS





① 3 mm  
Finish thickness

② 0,5 mm  
Fabric

③ 15 mm RIGID SUPPORT  
MDF support

③ 5 mm FLEXIBLE SUPPORT  
MDF support

④ 0,6 mm  
Balancing

⑤ 7,5 mm  
Mill spacing

⑥ 19 mm RIGID PANEL  
Finished thickness

⑥ 9 mm FLEXIBLE PANEL  
Finished thickness

## PRODUCT OVERVIEW

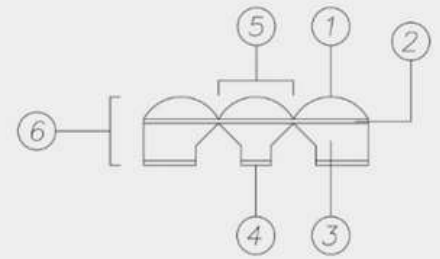
- Product is provided in panel size: 120 cm x 300 cm ( 47 ¼" x 118 1/8")
- Option for Unfinished, or Finished with a clear acrylic
- Water Resistant MDF core - upon request
- Option for TNT Panel Support (non-woven fabric back), or Rigid MDF

## AVAILABLE WOOD VENEERS

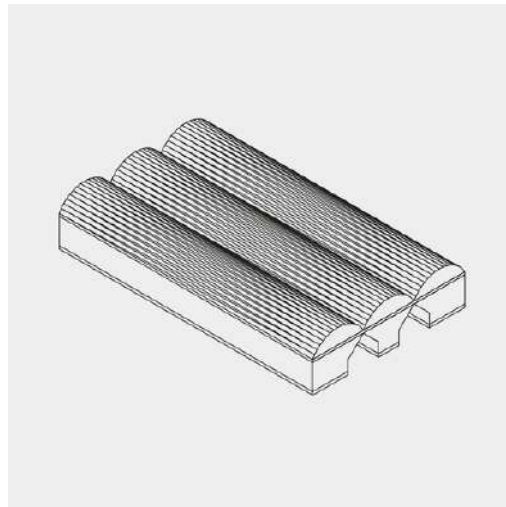
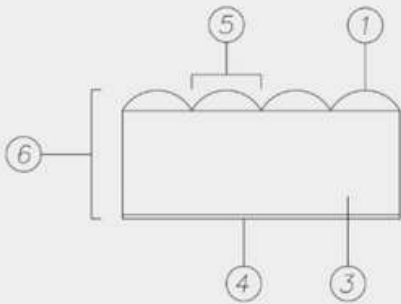




Flexible Panel



Rigid Panel



① 3 mm  
Finish thickness

② 0,5 mm  
Fabric

③ 15 mm RIGID SUPPORT  
MDF support

③ 5 mm FLEXIBLE SUPPORT  
MDF support

④ 0,6 mm  
Balancing

⑤ 10 mm  
Mill spacing

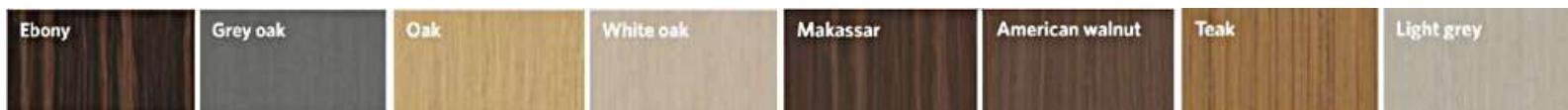
⑥ 19 mm RIGID PANEL  
Finished thickness

⑥ 9 mm FLEXIBLE PANEL  
Finished thickness

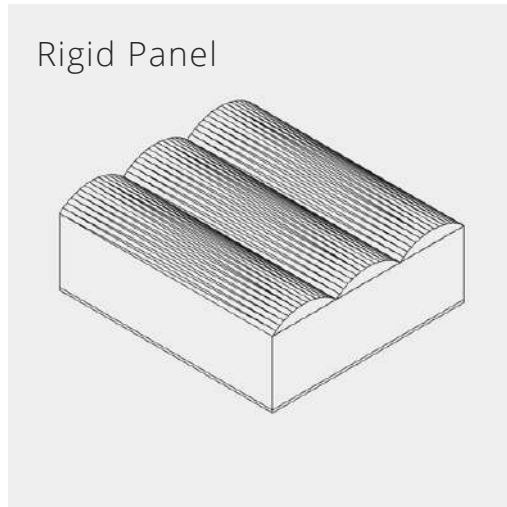
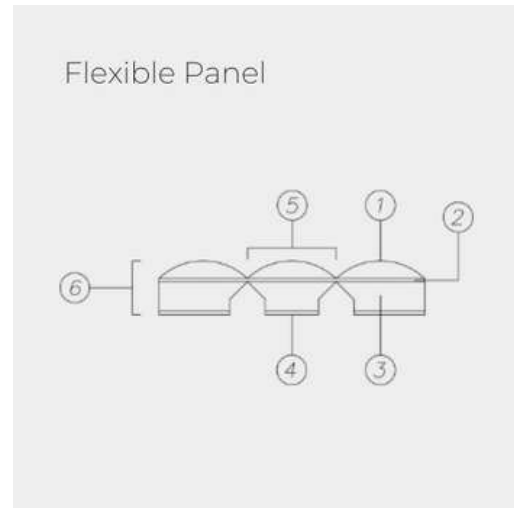
## PRODUCT OVERVIEW

- Product is provided in panel size: 120 cm x 300 cm ( 47 ¼” x 118 1/8”)
- Option for Unfinished, or Finished with a clear acrylic
- Water Resistant MDF core - upon request
- Option for TNT Panel Support (non-woven fabric back), or Rigid MDF

## AVAILABLE WOOD VENEERS







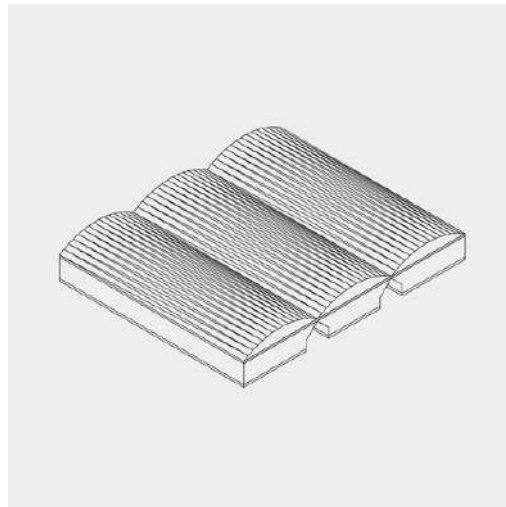
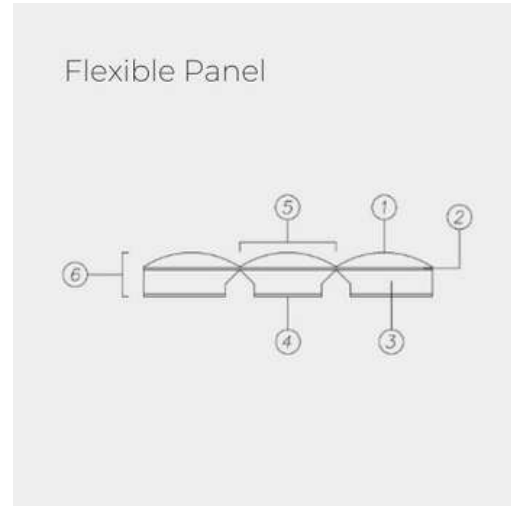
- ① 3 mm  
Finish thickness
- ② 0,5 mm  
Fabric
- ③ 15 mm RIGID SUPPORT  
MDF support
- ③ 5 mm FLEXIBLE SUPPORT  
MDF support
- ④ 0,6 mm  
Balancing
- ⑤ 15 mm  
Mill spacing
- ⑥ 19 mm RIGID PANEL  
Finished thickness
- ⑥ 9 mm FLEXIBLE PANEL  
Finished thickness

## PRODUCT OVERVIEW

- Product is provided in panel size: 120 cm x 300 cm ( 47 ¼” x 118 1/8”)
- Option for Unfinished, or Finished with a clear acrylic
- Water Resistant MDF core - upon request
- Option for TNT Panel Support (non-woven fabric back), or Rigid MDF

## AVAILABLE WOOD VENEERS





① 3 mm  
Finish thickness

② 0,5 mm  
Fabric

③ 15 mm RIGID SUPPORT  
MDF support

④ 5 mm FLEXIBLE SUPPORT  
MDF support

⑤ 0,6 mm  
Balancing

⑥ 20 mm  
Mill spacing

⑦ 19 mm RIGID PANEL  
Finished thickness

⑧ 9 mm FLEXIBLE PANEL  
Finished thickness

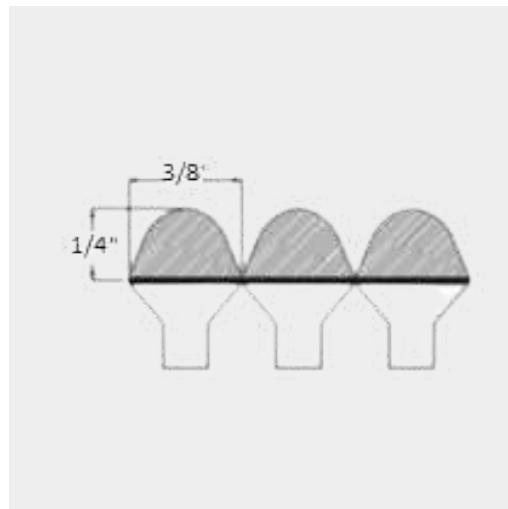
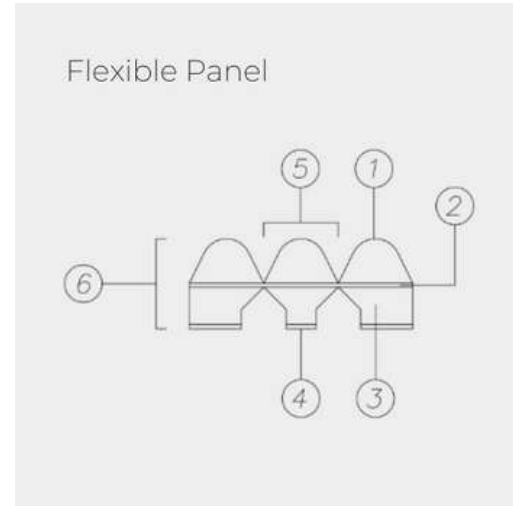
## PRODUCT OVERVIEW

- Product is provided in panel size: 120 cm x 300 cm ( 47 ¼" x 118 1/8")
- Option for Unfinished, or Finished with a clear acrylic
- Water Resistant MDF core - upon request
- Option for TNT Panel Support (non-woven fabric back), or Rigid MDF

## AVAILABLE WOOD VENEERS







① 6 mm  
Finish thickness

② 0,5 mm  
Fabric

③ 15 mm RIGID SUPPORT  
MDF support

③ 5 mm FLEXIBLE SUPPORT  
MDF support

④ 0,6 mm  
Balancing

⑤ 10 mm  
Mill spacing

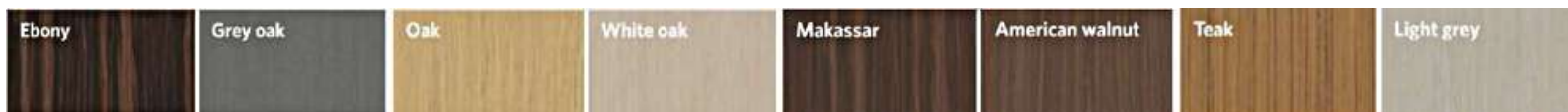
⑥ 22 mm RIGID PANEL  
Finished thickness

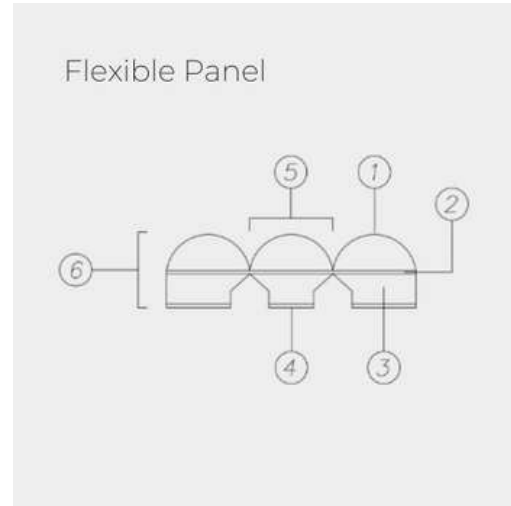
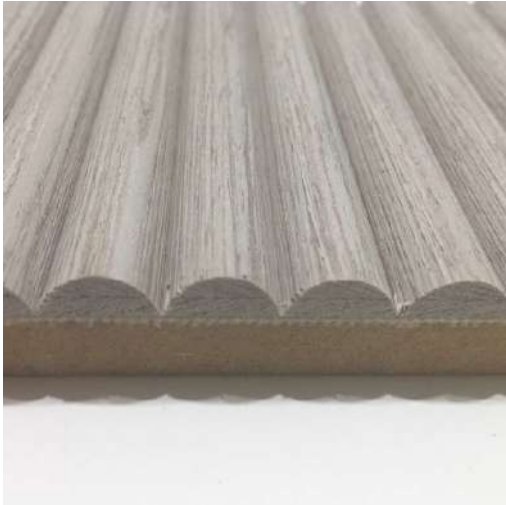
⑥ 12 mm FLEXIBLE PANEL  
Finished thickness

## PRODUCT OVERVIEW

- Product is provided in panel size: 120 cm x 300 cm ( 47 ¼" x 118 1/8")
- Option for Unfinished, or Finished with a clear acrylic
- Water Resistant MDF core - upon request
- Option for TNT Panel Support (non-woven fabric back), or Rigid MDF

## AVAILABLE WOOD VENEERS





① 6 mm  
Finish thickness

② 0,5 mm  
Fabric

③ 15 mm RIGID SUPPORT  
MDF support

③ 5 mm FLEXIBLE SUPPORT  
MDF support

④ 0,6 mm  
Balancing

⑤ 13 mm  
Mill spacing

⑥ 22 mm RIGID PANEL  
Finished thickness

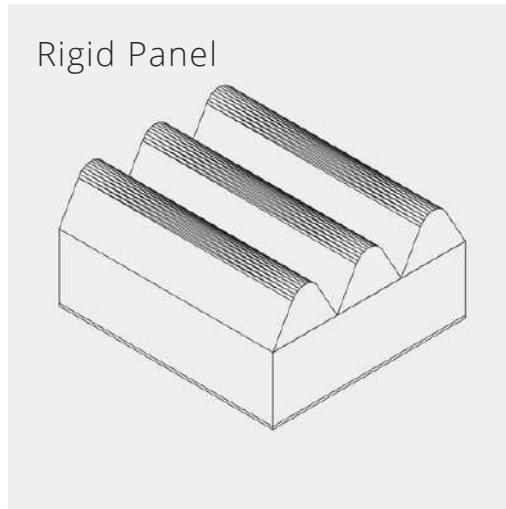
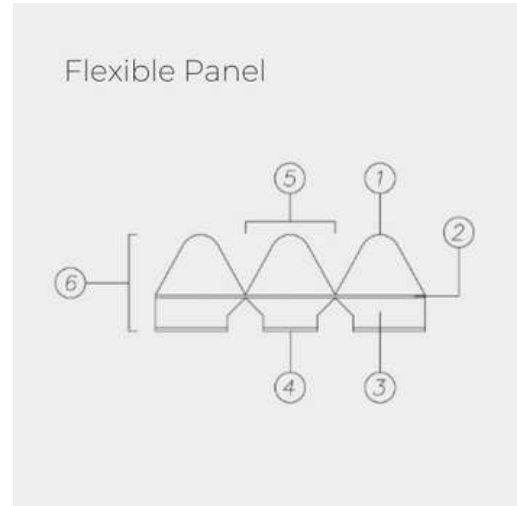
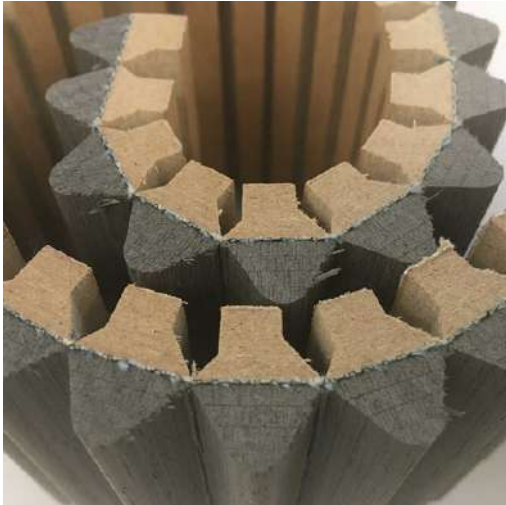
⑥ 12 mm FLEXIBLE PANEL  
Finished thickness

## PRODUCT OVERVIEW

- Product is provided in panel size: 120 cm x 300 cm ( 47 ¼” x 118 1/8”)
- Option for Unfinished, or Finished with a clear acrylic
- Water Resistant MDF core - upon request
- Option for TNT Panel Support (non-woven fabric back), or Rigid MDF

## AVAILABLE WOOD VENEERS





- ① 10 mm  
Finish thickness

---

- ② 0,5 mm  
Fabric

---

- ③ 15 mm RIGID SUPPORT  
MDF support

---

- ③ 5 mm FLEXIBLE SUPPORT  
MDF support

---

- ④ 0,6 mm  
Balancing

---

- ⑤ 15 mm  
Mill spacing

---

- ⑥ 25 mm RIGID PANEL  
Finished thickness

---

- ⑥ 15 mm FLEXIBLE PANEL  
Finished thickness

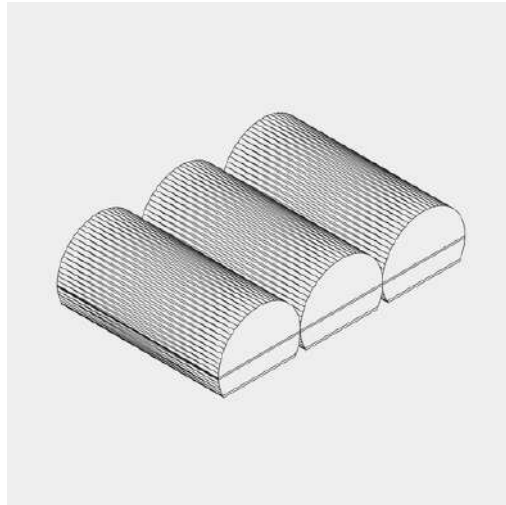
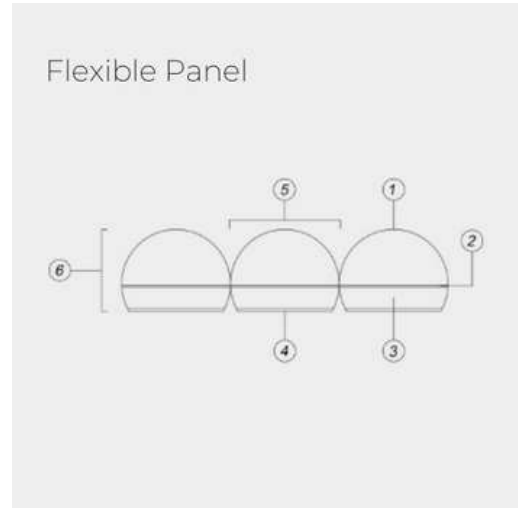
## PRODUCT OVERVIEW

- Product is provided in panel size: 120 cm x 300 cm ( 47 ¼” x 118 1/8”)
- Option for Unfinished, or Finished with a clear acrylic
- Water Resistant MDF core - upon request
- Option for TNT Panel Support (non-woven fabric back), or Rigid MDF

## AVAILABLE WOOD VENEERS







① 13 mm  
Finish thickness

② 0,5 mm  
Fabric

③ 5 mm  
MDF support

④ 0,6 mm  
Balancing

⑤ 26 mm  
Mill spacing

⑥ 19 mm  
Finished thickness

## PRODUCT OVERVIEW

- Product is provided in panel size: 120 cm x 300 cm ( 47 ¼” x 118 1/8”)
- Option for Unfinished, or Finished with a clear acrylic
- Water Resistant MDF core - upon request
- Only available as flexible panel(s)

## AVAILABLE WOOD VENEERS



# IKONINI

## Maintenance & Installation

For daily cleaning, use a soft cloth dampened with water and mild multi-purpose neutral detergents then dry the surface with kitchen paper.

---

Avoid cleaning the surfaces with methylated spirit as it could leave persistent marks once it dries.

---

Avoid cleaning the surface with products containing bleach or which are nonetheless highly basic, as they may leave whitish marks in case of prolonged application.

---

Avoid cleaning the surfaces with abrasive sponges and do not leave the surfaces in contact with steel wool or other metal objects that can contain or release oxidized particles.

Example for installation structure

